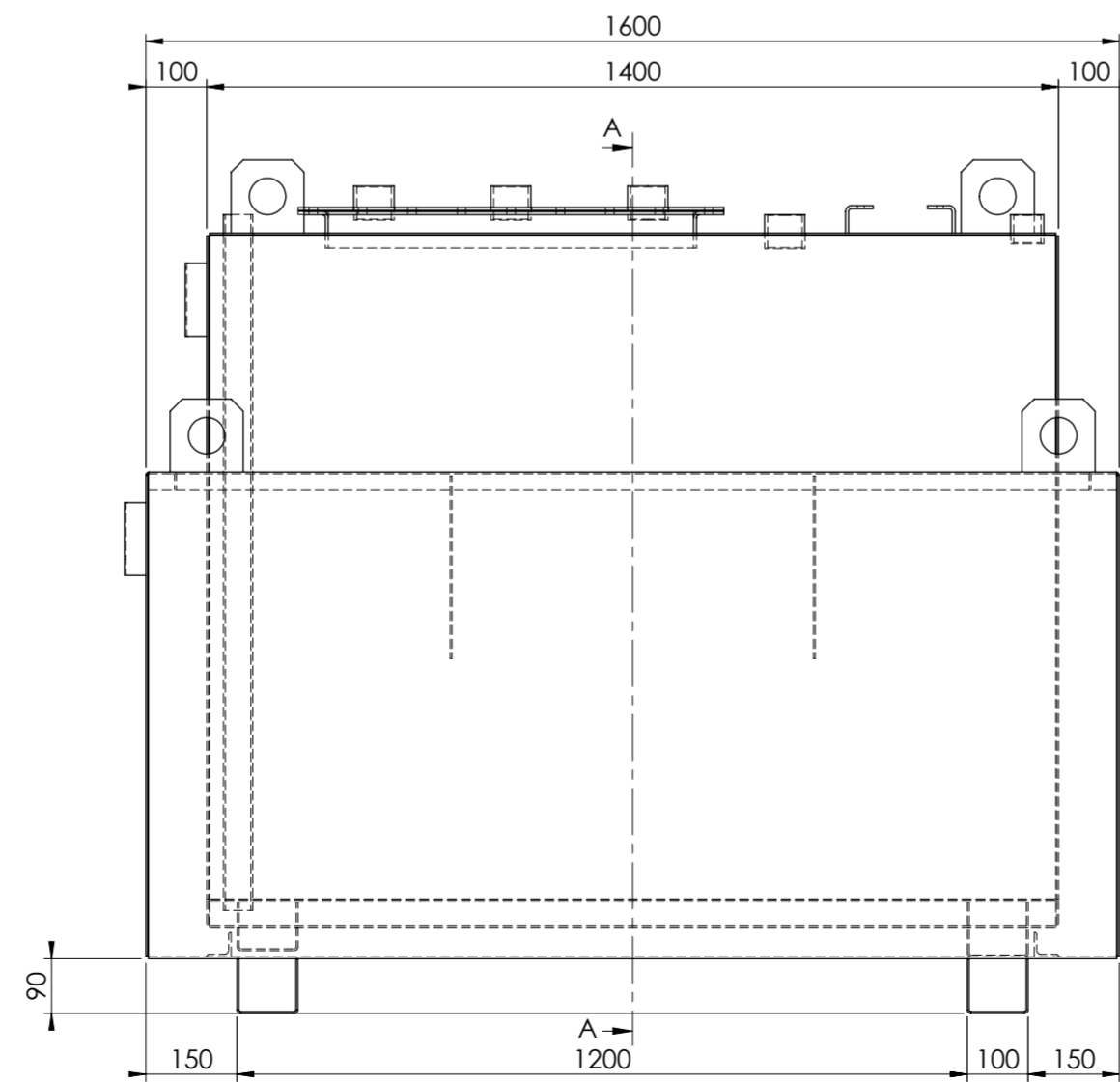
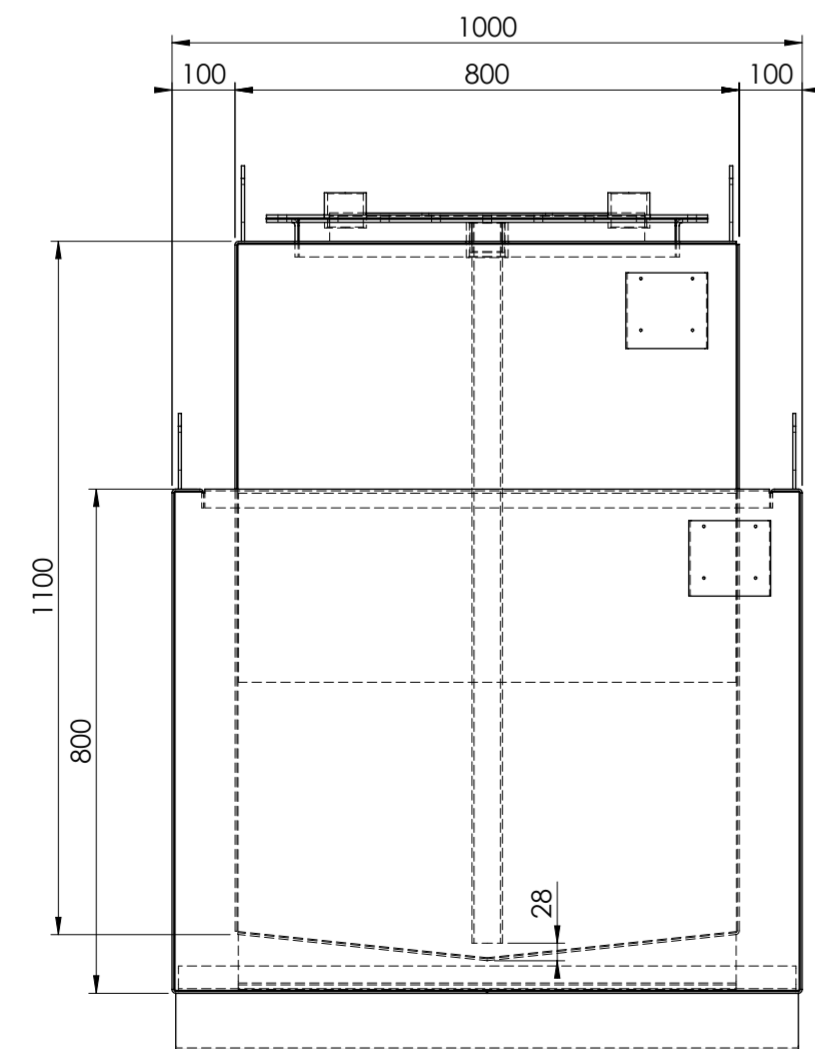
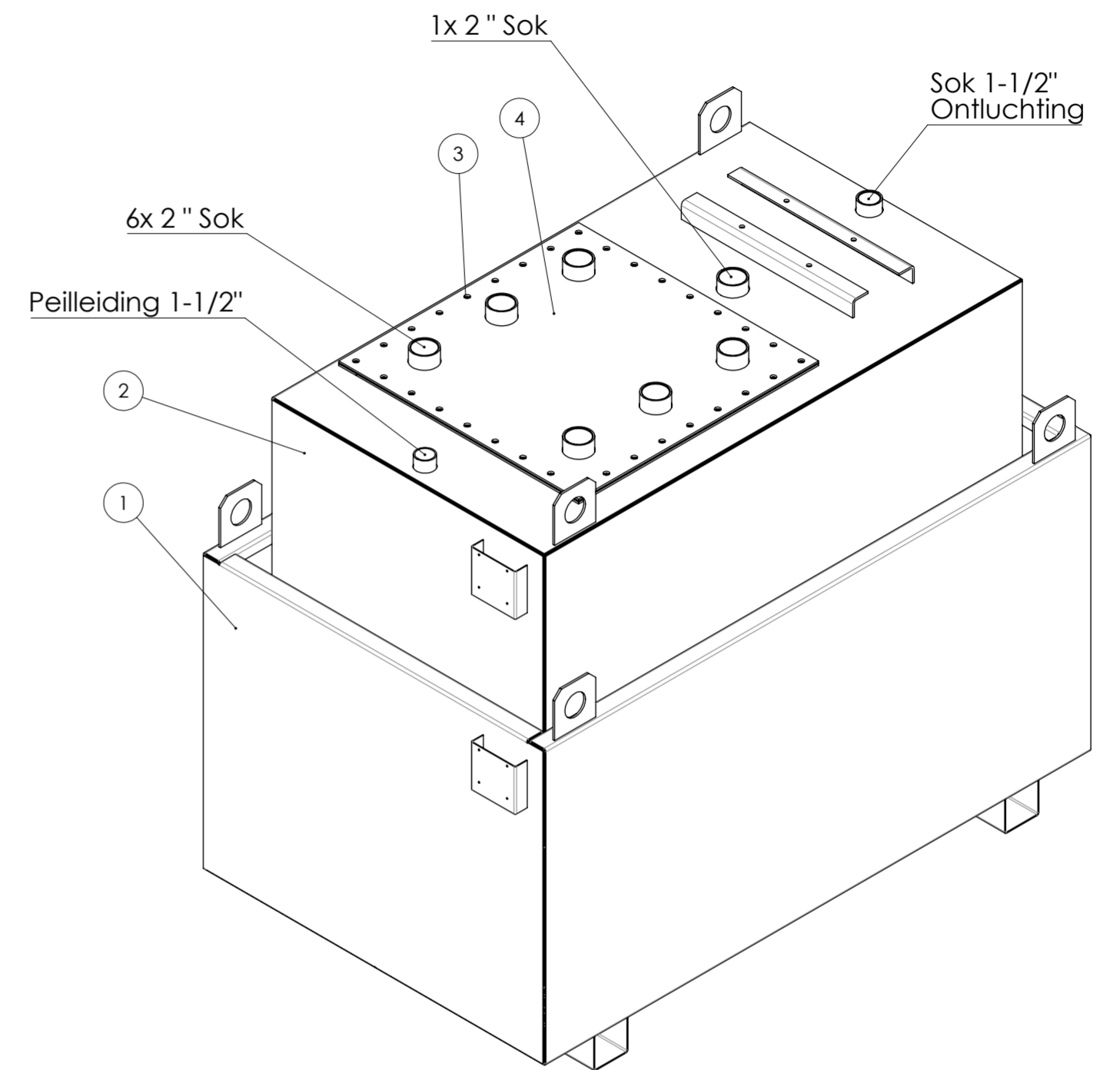


SECTION A-A



Item	Qty.	Drawing	Description	Material	Article Number	Revision
1	1	VDZM00003346	Bak	SUB.		0
2	1	VDZM00003351	Tank	SUB.		0
3	1	VDZM00000315	Pakking			A
4	1	VDZM00003028	Deksel	SUB.		0

Drawn: MM	Date: 20-09-2019	Scale: 1:12
Approved: MM	Date: 20-09-2019	Units: mm
Revision: 0	Status: Finaly	Sheet No.: 1 of 1
Finish: RAL 7035 - Light grey	Roughness:	Title: PT 1250 in PB 1250 Ltr.
Material: SUB.	Weight: 374.61 kg	Size: A2
WELDING AROUND a = 1/2 x THINNEST SHEET THICKNESS + 1 UNLESS OTHERWISE STATED	DO NOT SCALE DRAWING	ALL DIMENSIONS AND SURFACE TOLERANCE FOR MACHINING ACCORDING TO ISO2768mK UNLESS OTHERWISE STATED
Drawing No.: VDZM00003345-1		Am. proj.:

